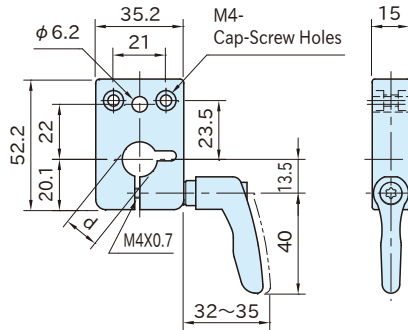


SKPDE

CLAMP PLATES



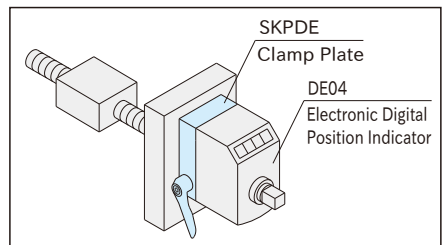
Body	Adjustable Handle
Aluminum(6N01)	Die-cast zinc(ZDC1)
Anodized	Painted
Black	Black

Part Number	d ($^{+0.1}$)	Weight (g)	Proper Indicators
SKPDE04-14	14	100	DE04
SKPDE04-10	10	100	

Features:

- These clamp plates prevent the spindle from turning due to vibrations from the machine.
- Suitable for positively locking the spindle for a long period of hours
- For details of the adjustable handle, refer to **FKF,FKR** Metal Adjustable Handles.

How To Use



These clamp plates can be used with **DE04** Electronic Digital Position Indicator