

SDP-10

DIGITAL POSITION INDICATORS



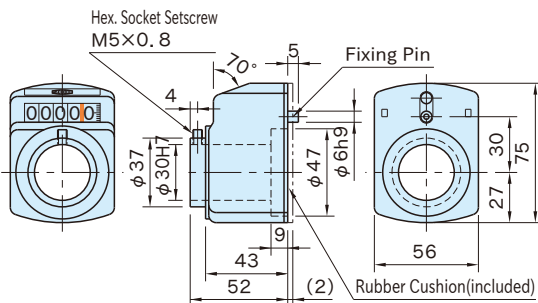
SDP-10H
(Style H)



SDP-10V
(Style V)



SDP-10F
(Style F)



Note : The flat-end fixing pin can not work to mark a fixing point.

Housing
Polyamide (nylon 6) plastic
Orange
Black (on request)

Features

- Using a shaft sleeve allows accepting a shaft of 12mm, 14mm, 15mm, 16mm, 18mm, 20mm, 22mm or 25mm diameter.
- Lightweight
- Displayed figure height : 7mm

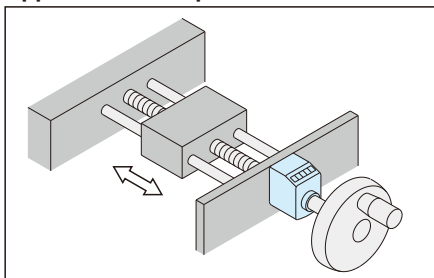
Furnished With

Rubber cushion

How To Use

- 1 Stick the rubber cushion to the back of the indicator.
- 2 Drill a fixing-pin hole in the mounting wall, 30mm above the shaft center.
- 3 Slide the indicator onto the shaft to the mounting wall and then tighten the setscrew.

Application Example



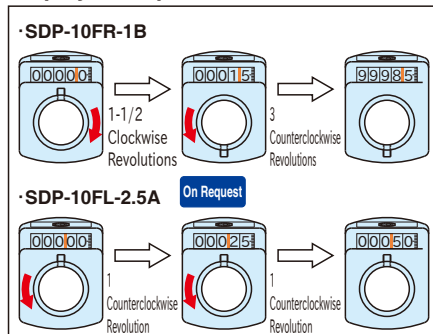
Notes

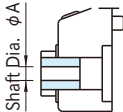
- Ensure that the start-up revolution speed is 1/3 or less of the allowable revolution speed.
- Do not give rapid acceleration or sudden stop.
- These position indicators can not be used in applications where the shaft moves in the axial direction.

Technical Information

Working temperature : Up to 80°C

Display Example



Type	Spindle Thread Pitch	Value Displayed After 1st Revolution				Allowable Revolution Speed (min ⁻¹)	Weight (g)	Shaft Sleeve																			
		A	B	C	D																						
SDP-10	1	00010	00010	00010		500	100																				
	2	00020	00020	00020																							
	2.5	00025	00025	00025																							
	3	00030	00030	00030																							
	4	00040	00040	00040																							
	5	00050	00050	00050																							
	6	00060	00060	00060																							
	8	00080	00080	00080																							
10	00100	00100	00100	00100	150		<table border="1"> <thead> <tr> <th>Part Number</th> <th>A</th> <th>Part Number</th> <th>A</th> </tr> </thead> <tbody> <tr> <td>STS-12A</td> <td>12</td> <td>STS-18</td> <td>18</td> </tr> <tr> <td>STS-14A</td> <td>14</td> <td>STS-20</td> <td>20</td> </tr> <tr> <td>STS-15A</td> <td>15</td> <td>STS-22</td> <td>22</td> </tr> <tr> <td>STS-16A</td> <td>16</td> <td>STS-25</td> <td>25</td> </tr> </tbody> </table>	Part Number	A	Part Number	A	STS-12A	12	STS-18	18	STS-14A	14	STS-20	20	STS-15A	15	STS-22	22	STS-16A	16	STS-25	25
Part Number	A	Part Number	A																								
STS-12A	12	STS-18	18																								
STS-14A	14	STS-20	20																								
STS-15A	15	STS-22	22																								
STS-16A	16	STS-25	25																								

Ordering Example

SDP-10 **H** **R** - **1** **B** **-B**

Style Rotative Direction Spindle Thread Pitch Value Displayed After 1st Revolution Housing Color

