

SDP-05

DIGITAL POSITION INDICATORS

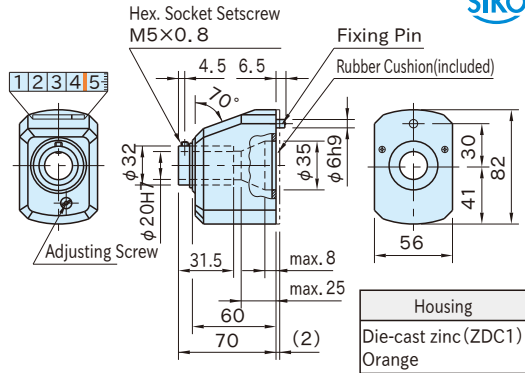


SDP-05H
(Style H)



SDP-05V
(Style V)

On Request



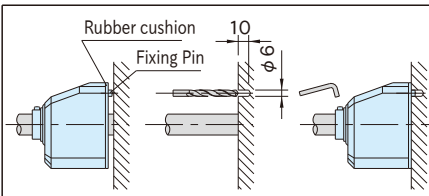
Features

- Reversible rotative direction.
- The adjusting screw allows adjusting the position of displayed figures.
- Using a shaft sleeve allows accepting a shaft of 12mm, 14mm, 15mm or 16mm diameter.
- Displayed figure height : 6mm

Furnished With

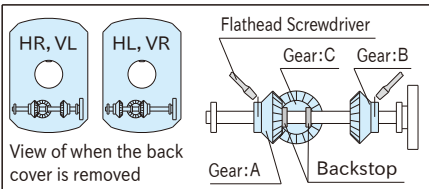
Rubber Cushion

How To Use



- 1 Stick the rubber cushion to the back of the indicator.
- 2 Slide the indicator onto the shaft to the mounting wall to mark a point for a fixing-pin hole with the fixing pin.
- 3 Drill a fixing-pin hole at the marked position.
- 4 Slide the indicator onto the shaft to the mounting wall again and then tighten the setscrew.

How to Reverse Rotative Direction



- Remove the back cover.
- Unfasten Gears A and B using a flathead screwdriver, and then get Gear A disengaged from Gear C.
- Move Gear B to the backstop to get it engaged with Gear C

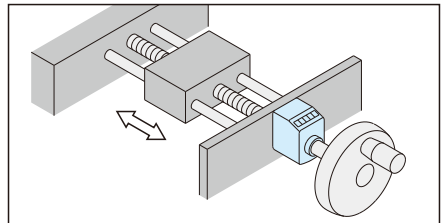
Notes

- Ensure that the start-up revolution speed is 1/3 or less of the allowable revolution speed.
- Do not give rapid acceleration or sudden stop.
- These position indicators can not be used in applications where the shaft moves in the axial direction.

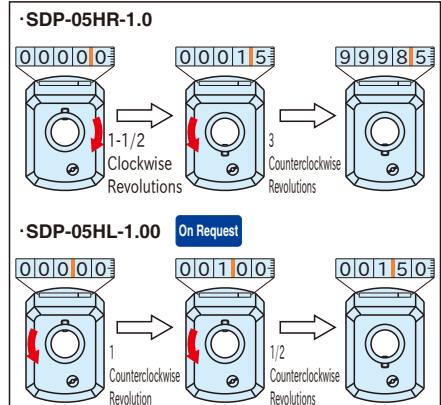
Technical Information

Working temperature : Up to 80°C

Application Example



Display Example



Type	Spindle Thread Pitch	Value Displayed After 1st Revolution		Allowable Revolution Speed (min ⁻¹)	Weight (g)	Shaft Sleeve										
		Indication	Display													
SDP-05	1	1.00		150	500	 <table border="1"> <thead> <tr> <th>Part Number</th> <th>A</th> </tr> </thead> <tbody> <tr> <td>STS-12</td> <td>12</td> </tr> <tr> <td>STS-14</td> <td>14</td> </tr> <tr> <td>STS-15</td> <td>15</td> </tr> <tr> <td>STS-16</td> <td>16</td> </tr> </tbody> </table>	Part Number	A	STS-12	12	STS-14	14	STS-15	15	STS-16	16
	Part Number	A														
	STS-12	12														
	STS-14	14														
	STS-15	15														
	STS-16	16														
	1	1.0		500												
	2	2.0														
	2.5	2.5														
	3	3.0														
4	4.0															
5	5.0															
6	6.0															
10	10.0															
10	10		375													
Other Thread Pitches Available on Request				-												

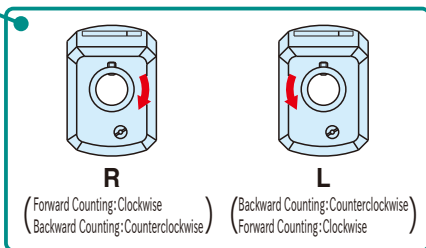
Ordering Example

SDP-05 **H** **R** - **4.0**

Style

Rotative Direction

Value Displayed After 1st Revolution



Standard Items and Available -on- request Items

	Style	Clockwise Rotation	CCW Rotation
Standard	H	SDP-05HR- 1.0	SDP-05HL- 1.0
		SDP-05HR- 2.0	SDP-05HL- 2.0
		SDP-05HR- 4.0	SDP-05HL- 4.0
		SDP-05HR- 5.0	SDP-05HL- 5.0
		SDP-05HR- 6.0	SDP-05HL- 6.0
		SDP-05HR-10.0	SDP-05HL-10.0
Available on request	H	SDP-05HR- 1.00	SDP-05HL- 1.00
		SDP-05HR- 2.5	SDP-05HL- 2.5
		SDP-05HR- 3.0	SDP-05HL- 3.0
		SDP-05HR-10	SDP-05HL-10
	V	SDP-05VR- 1.00	SDP-05VL- 1.00
		SDP-05VR- 1.0	SDP-05VL- 1.0
		SDP-05VR- 2.0	SDP-05VL- 2.0
		SDP-05VR- 2.5	SDP-05VL- 2.5
		SDP-05VR- 3.0	SDP-05VL- 3.0
		SDP-05VR- 4.0	SDP-05VL- 4.0
		SDP-05VR- 5.0	SDP-05VL- 5.0
		SDP-05VR- 6.0	SDP-05VL- 6.0
		SDP-05VR-10.0	SDP-05VL-10.0
		SDP-05VR-10	SDP-05VL-10