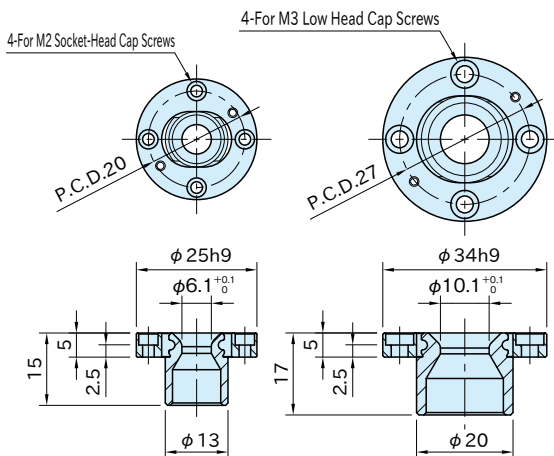


QCBU-FL

FLOATING RECEPTACLES



QCBU0608-FL-SUS

QCBU1012-FL-SUS

★One Point

Work with rough mounting hole spacing

Flange, Slider	Spring Pin	Pin
SUS303 stainless steel	SUS420J2 stainless steel	Stainless steel Quenched and tempered

Part Number	Plate Thickness	Weight (g)	Knob-Locking Pins	Retractable Knob-locking Pins	Button-Locking Pins
QCBU0608-FL-SUS	9 or more	21	QCWE0625-10	QCWEA0625-10-SUS	QCBU0608-10-SUS
			QCWE0625-10-SUS		QCBUS0608-10SUS
QCBU1012-FL-SUS	10 or more	42	QCWE1034-14	QCWEA1034-14-SUS	QCBU1012-16-SUS
			QCWE1034-14-SUS		QCBUS1012-16SUS
			QCWE1034-20		
			QCWE1034-20-SUS		

Supplied With

·**QCBU0608-FL-SUS**:

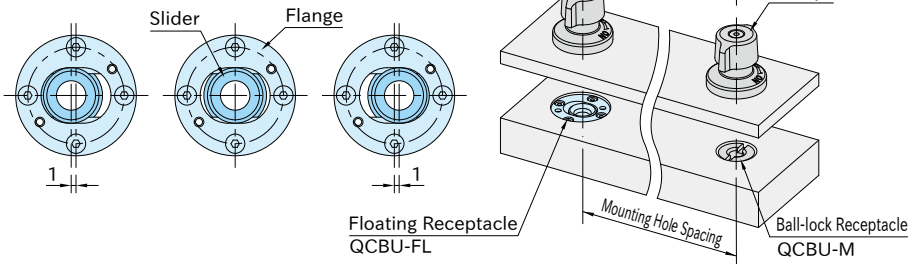
4 of socket-head cap screws(stainless steel), M2×0.4-5L

·**QCBU1012-FL-SUS**:

4 of low head cap screws(stainless steel), M3×0.5-6L

Feature

The slider, which slides 1 mm to the left and right, extends the tolerance range of the mounting hole spacing. This allows secure mounting even when the required spacing tolerance for each applicable clamp cannot be achieved.



Technical Information

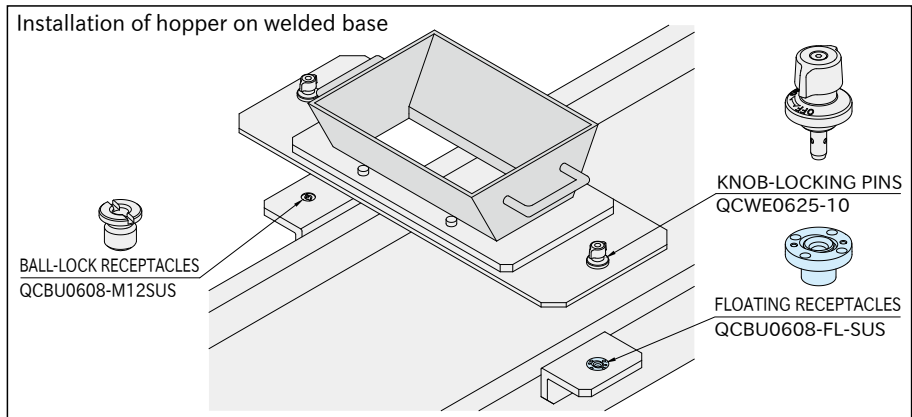
Heat resistant temperature, shear strength, and tensile strength are in accordance with the clamps used.

Note

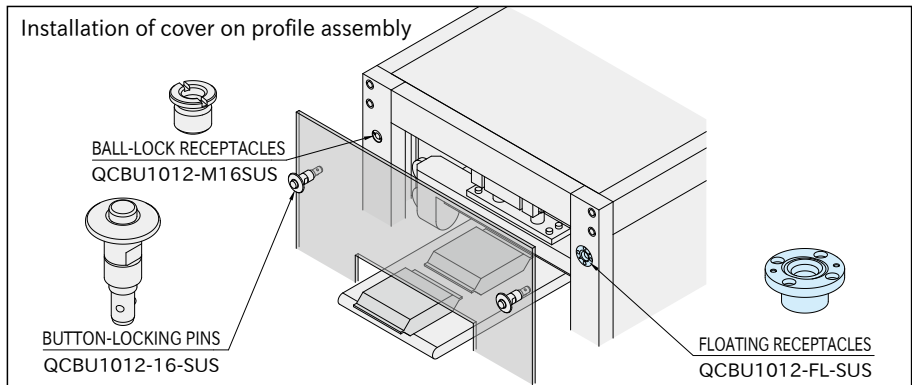
Use this product in pairs with **QCBU-M** receptacles for use with two applicable clamps.

Application Example

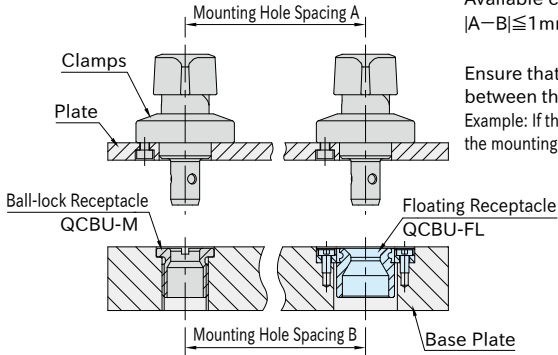
Installation of hopper on welded base



Installation of cover on profile assembly



How To Set Mounting Hole Spacing



Available conditions:
 $|A-B| \leq 1\text{mm}$

Ensure that the difference in mounting hole spacing between the plate and the base plate is within 1mm.
 Example: If the mounting hole spacing of the plate is 100 ± 0.1 , the mounting hole spacing of the base can be up to 100 ± 0.9 .

How To Install

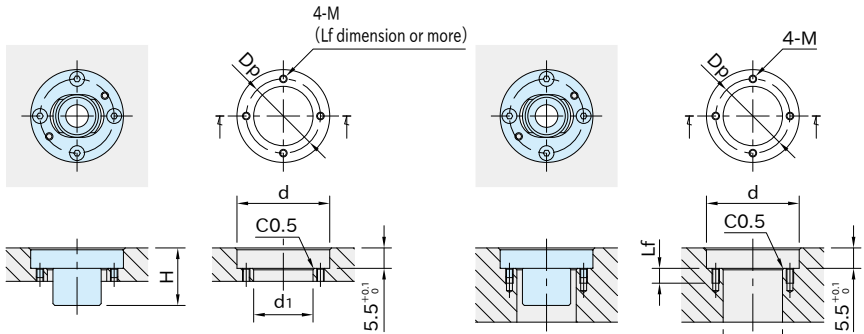


Figure A

Figure B

Part Number	Plate Thickness	Figure	d ($+0.10$ $+0.05$)	d ₁ ($+0.1$ 0)	M	D _p	L _f	H
QCBU0608-FL-SUS	9 or more, under 16	A	25	16	M2×0.4	20	4	15.5
	16 or more	B						-
QCBU1012-FL-SUS	10 or more, under 18	A	34	22	M3×0.5	27	5	17.5
	18 or more	B						-

Accuracy

Repeatability is in accordance with the clamps used.

Reference

- [QCWE] KNOB-LOCKING PINS
- [QCBU] [QCBUS] BUTTON-LOCKING PINS
- [QCWEA-SUS] RETRACTABLE KNOB-LOCKING PINS
- [QCBU-M] BALL-LOCK RECEPTACLES