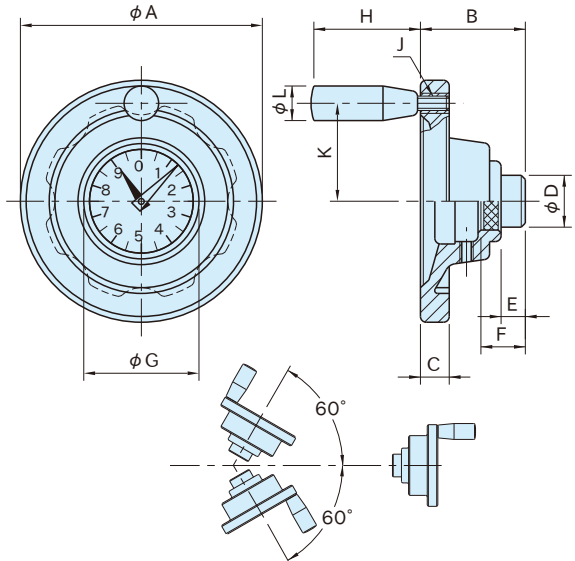


# PDH PLASTIC INDICATOR HANDWHEELS



ELESA Original Design VDC+I



Angular Range of Mounting

Handwheel & Handle	Insert	Indicator	Dial Plate	Long Hand	Short Hand
Phenolic plastic Glossy Finish Black	Steel (SUM22L) Black oxide finish	Polyamide plastic Black matte	Aluminum (A1050P)	Red	Black

Size	A	B	C	D	E	F	G	H	J	K	L	Weight (g)	
<b>PDH</b>	80	87	57	14	25	11	23	42	40	M6×1	34	18	255
	100	108	60		30	12	25	60			50	45	21
	125	125	61	18	35	15	30	65	M8×1.25	53	23	475	
	160	160	72							68	26	775	

Size	Part Number			Rotative Direction
	No. of Graduations : 10	No. of Graduations : 20	No. of Graduations : 30	
80	PDH 80R-1/10	PDH 80R-1/20	PDH 80R-1/30	Clockwise
	PDH 80L-1/10	PDH 80L-1/20	PDH 80L-1/30	Counterclockwise
100	PDH100R-1/10	PDH100R-1/20	PDH100R-1/30	Clockwise
	PDH100L-1/10	PDH100L-1/20	PDH100L-1/30	Counterclockwise
125	PDH125R-1/10	PDH125R-1/20	PDH125R-1/30	Clockwise
	PDH125L-1/10	PDH125L-1/20	PDH125L-1/30	Counterclockwise
160	PDH160R-1/10	PDH160R-1/20	PDH160R-1/30	Clockwise
	PDH160L-1/10	PDH160L-1/20	PDH160L-1/30	Counterclockwise

- RG Revolving handles are used as the grips of **PDH**.
- Comes with a **PD** Plastic Dial Indicator.
- "R" and "L" at the end of the part number stands for "Clockwise" and "Counterclockwise" respectively.
- Working temperature : Between 0°C and 100°C

### Plastic Dial Indicators Used

Handwheels	Indicators	No. of Graduations
<b>PDH 80</b>	PD50R/L	10, 20, or 30
<b>PDH100</b>	PD70R/L	
<b>PDH125</b>		
<b>PDH160</b>		

### Technical Information

For detailed installation instructions, see page of "**elessa** INDICATOR HANDWHEELS & INDICATOR KNOBS".