

PD

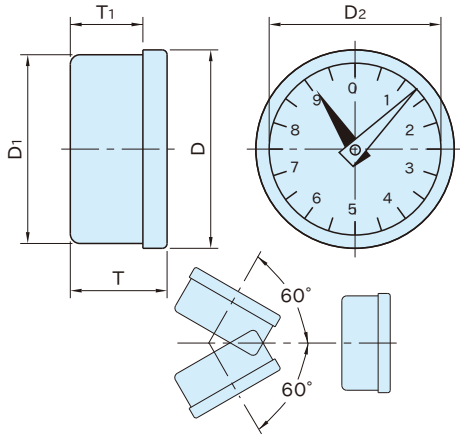
PLASTIC DIAL INDICATORS

RHS IP67

Original ELESA Model GA11,GA12 **elasa**



PD50R-1/10

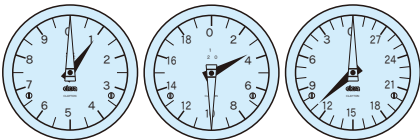


Angular Range of Mounting

Housing	Window	Dial Plate	Long Hand	Short Hand
Glass-fiber reinforced polyamide plastic Black matte	Special polyamide plastic	Aluminum (A1050P)	Red	Black

Part Number			Rotative Direction	D	T	D ₁	D ₂	T ₁	Weight (g)
No. of Graduations 10	No. of Graduations 20	No. of Graduations 30							
PD50R-1/10	PD50R-1/20	PD50R-1/30	Clockwise	49.8	30	48.2	42	23	75
PD50L-1/10	PD50L-1/20	PD50L-1/30	Counterclockwise						
PD70R-1/10	PD70R-1/20	PD70R-1/30	Clockwise	68.5	32	67	60	25	125
PD70L-1/10	PD70L-1/20	PD70L-1/30	Counterclockwise						

■ Display Examples



Type : Clockwise
Graduations : 10
Part No. : PD70R-1/10
Display after 1 revolution

Type : Clockwise
Graduations : 20
Part No. : PD70R-1/20
Display after 3-1/2 revolutions

Type : Counterclockwise
Graduations : 30
Part No. : PD70R-1/30
Display after 11 revolutions

Features

- Designed to comply with the IP67 protection class.
- The window is ultrasonically welded to the housing, for excellent splashproof construction.

Technical Information

Working temperature : Between 0°C and 100°C

These indicators can mount on **PDH** Plastic Indicator Handwheels or **DTK** Plastic Indicator Lobe Knobs.

■ How To Use

For detailed installation instructions, see page of "INDICATOR HANDWHEELS & INDICATOR KNOBS".