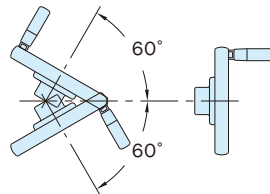
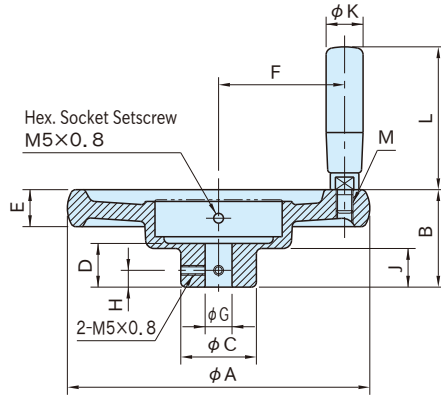


# DHW

# ALUMINUM SPOKED INDICATOR HANDWHEELS



Angular Range of Mounting

Note : Dial Indicator must be ordered separately.

| Handwheel   | Handle                     |
|---|----------------------------|
| Aluminum alloy (ADC12)<br>Baked finish<br>Silver gray | Polyamide plastic<br>Black |

| Part Number     | A   | B  | C  | D  | E  | F   | G (H8) | H  | J  | K   | L        | M       | Weight (g) |
|-----------------|-----|----|----|----|----|-----|--------|----|----|-----|----------|---------|------------|
| <b>DHW180ER</b> | 180 | 58 | 45 | 26 | 22 | 75  | 16     | 10 | 23 | 22  | 85       | M10x1.5 | 760        |
| <b>DHW200ER</b> | 198 | 62 | 50 | 31 | 25 | 85  | 18     |    | 27 |     |          |         | 950        |
| <b>DHW250ER</b> | 249 |    |    | 32 | 28 | 106 | 22     |    | 28 | 107 | M12x1.75 | 1,420   |            |

- Comes with an **ER** revolving handle
- Center Caps are available for applications without a indicator

### Proper Dial Indicators

| Handwheels      | Dial Indicators |          |
|-----------------|-----------------|----------|
|                 | D50R/L/C        | D75R/L/C |
| <b>DHW180ER</b> | ×               | ○        |
| <b>DHW200ER</b> | ×               | ○        |
| <b>DHW250ER</b> | ×               | ○        |

### Technical Information

For detailed installation instructions, see page of "IMAO INDICATOR HANDWHEELS & INDICATOR KNOBS".