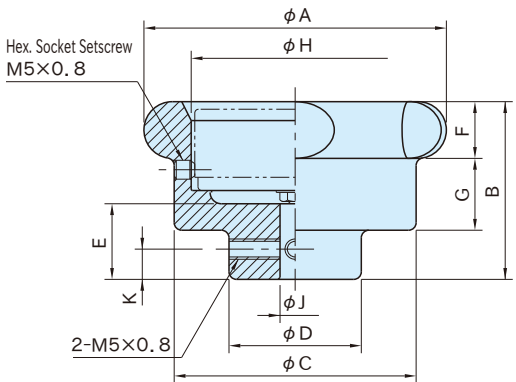
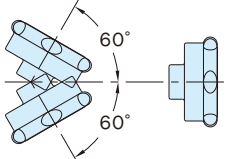


DHK

ALUMINUM LOBE INDICATOR KNOBS



Note : Dial Indicator must be ordered separately.



Angular Range of Mounting

Knob
Aluminum alloy(ADC12)
Baked finish
Silver gray

Part Number	A	B	C	D	E	F	G	H	J (H8)	K	Weight (g)
DHK 80	79	47	64	35	20	15	19	55	8	8	200
DHK100	99	53	86	38	25		21	75.7	10		340

Proper Dial Indicators

Handwheels	Dial Indicators	
	D50R/L/C	D75R/L/C
DHK 80	○	×
DHK100	×	○

·Center Caps are available for applications without a indicator

Technical Information

For detailed installation instructions, see page of "IMAO INDICATOR HANDWHEELS & INDICATOR KNOBS".