

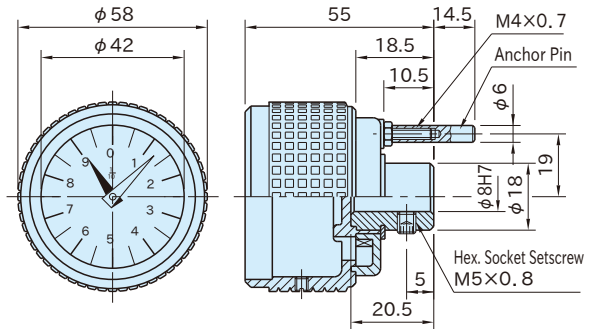
DGKA

PLASTIC INDICATOR KNURLED KNOBS WITH ANCHOR PIN



IP65

Original ELESa Model MBT-XX,PA11



Housing, Indicator	Hub	Anchor Pin	Dial Plate	Long Hand	Short Hand
Glass-fiber reinforced polyamide plastic Black matte	Steel (SUM22L) Black oxide finish	Steel	Aluminum (A1050P)	Red	Black

Part numbers in boldtext are in-stock items, the others are available on request.

Part Number			Rotative Direction	Weight (g)
No. of Graduations 10	No. of Graduations 20	No. of Graduations 30		
DGKA60R-1/10	DGKA60R-1/20	DGKA60R-1/30	Clockwise	195
DGKA60L-1/10	DGKA60L-1/20	DGKA60L-1/30	Counterclockwise	

Features:

- This product is suitable with spindles in any position by its gear mechanism.
- Designed to comply with the IP65 protection class.
- Comes with a **PDA** PLASTIC DIAL INDICATORS FOR ANCHOR PIN USE.
- The long hand goes one turn and the short hand goes one scale by one turn of the knob.

Notes:

- The indicator will be shipped separately from the knob.
- The knob is designed slightly tight for the indicator to prevent the indicator from rattling.
- The indicator is fixed by the setscrew on the side of the knob.
- The knob is not sold separately.
- To install, drill a $\phi 6$ hole for anchor pin on your machine.
- Can not be used on machines where the spindle moves in the axial direction.

Technical Information

Working temperature : Between 0°C and 100°C

Proper Dial Indicator

Knob	Indicator	No. of Graduations
DGKA60	PDA50R/L	10, 20, 30