

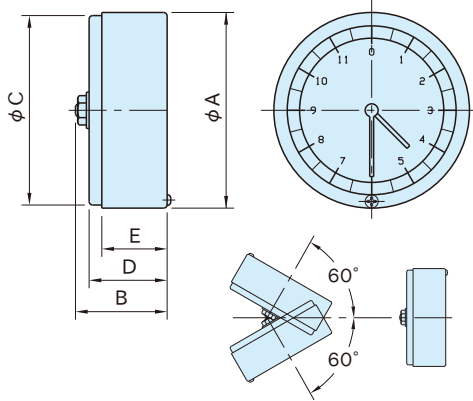
D-R / D-L / D-C DIAL INDICATORS



D75R1/12



D75C30-30

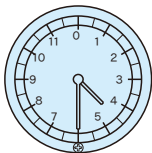


Angular Range of Mounting

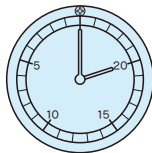
Housing	Window	Dial Plate	Long Hand	Short Hand
Steel Black matte	Acrylic plastic	Aluminum (A1050P)	Red (printed on acrylic window)	Black

Part Number					Rotative Direction	A	B	C	D	E	Weight (g)
No. of Graduations : 12	No. of Graduations : 25	No. of Graduations : 30	No. of Graduations : 36	No. of Graduations : 64							
D50R1/12	D50R1/25	-	-	-	Clockwise						
D50L1/12	D50L1/25	-	-	-	Counterclockwise	53.9	25	52.2	21.5	20	75
D50C12-12	-	-	-	-	CW & CCW						
D75R1/12	D75R1/25	-	D75R1/36	D75R1/64	Clockwise						
D75L1/12	D75L1/25	-	D75L1/36	D75L1/64	Counterclockwise	75.3	25	73.5	22	18	135
-	-	D75C30-30	-	-	CW & CCW						

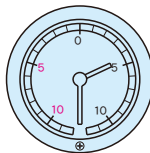
Display Examples



Type : Clockwise
Graduations : 12
Part No. : D75R1/12
Display after 4-1/2 revolution



Type : Counterclockwise
Graduations : 25
Part No. : D75L1/25
Display after 20 revolutions



Type : CW & CCW
Graduations : 12
Part No. : D50C12-12
Display after 4-1/2 clockwise revolutions

Technical Information

For detailed installation instructions, see page of "IMAO INDICATOR HANDWHEELS & INDICATOR KNOBS".

- Allowable revolution speed : 300 min⁻¹
- These indicators can mount onto **DHW** Indicator Handwheels, **DHK** Indicator Knobs, or **DRK** Knurled Indicator Knobs.
- The two-hands feature allows precisely reading the number of revolutions.
- Working temperatures range from -20°C to 60°C.
- The plastic window can be blurred with some steam caused by a big difference in working temperatures.
- Ensure that these indicators are completely kept away from water and dust.