

Launched in April 2024

One Touch Fasteners for Quick & Easy Tool-less Clamping

**NEW
ADDITION**

One Touch Fasteners are quick release fasteners for frequent changeover of machinery or fixture. Quick and easy tool-less clamping reduces setup time in changeover.



IMAO introduces a new type of ball-lock fastener, Retractable Knob-locking Pins.

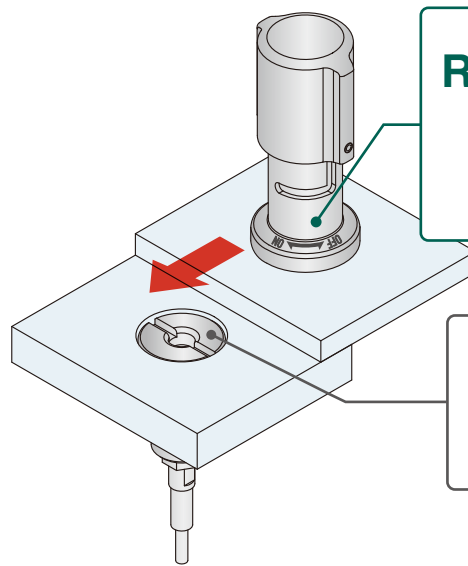
These fasteners can lock and unlock with a quarter turn of the knob. The unique feature is a retractable shaft, making them ideal for slide and door applications.

Additionally, they have a sensor detection capability that allows the locking condition to be confirmed.

Retractable Knob-locking Pins



QCWEA1034-14-SUS QCWEA0625-10-SUS



Key Point

**Retractable shaft
allows sliding
movement!**

What's more

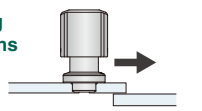
Used in combination with existing Position Sensor Receptacles, human error can be prevented!

Retractable shaft allows sliding movement!

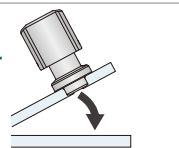
The shank retracts at the OFF position to enable operations without interference with the base plate.



For Sliding Applications



Also for Door Applications



Prevent human error!

Used in combination with existing Position Sensor Receptacles, clamping status can be detected by sensor.

Position Sensor Receptacles
QCWE-M-S

