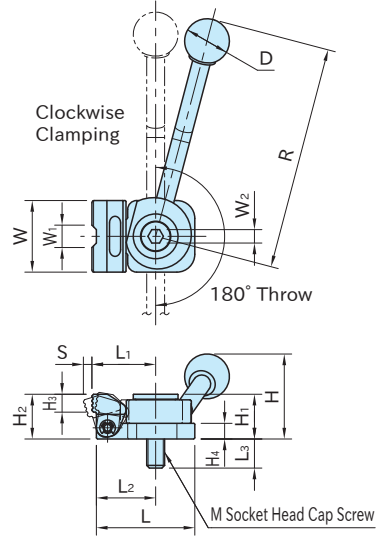
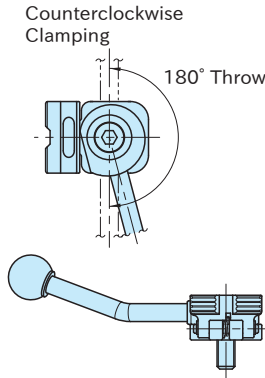


QLSC

CAM EDGE CLAMPS



Body/Jaw	Cam/Handle	Ball Knob
SCM440 steel Quenched and tempered Black oxide	SCM435 steel Quenched and tempered Black oxide	ABS resin Black



Part Number	Clamping Direction	H ₂	S	W	W ₁	H ₃	L ₁	L	L ₂	H ₄	M	L ₃	H ₁	H
QLSC-08R	CW	20	3.8	32	10	8	28.5	44	26.5	7	M 8×1.25	13	20	38
QLSC-08L	CCW													
QLSC-12R	CW	30	5.5	46	14	12	39.5	62	37.5	11	M12×1.75	17	30	55
QLSC-12L	CCW													

Part Number	R	D	W ₂	Allowable Operating Load (N)	Clamping Force (kN)	Weight (g)
QLSC-08R	100	20	6	250	2.5	195
QLSC-08L						
QLSC-12R	146	25	10	400	5	600
QLSC-12L						

Feature

Enables one-touch clamping / unclamping of workpiece.

How To Use

Secure the body and the flanged collar with a socket head cap screw, and then turn the the handle to clamp a workpiece.

Related Product



BJ162 CAM EDGE CLAMPS
Without handle type is available.

