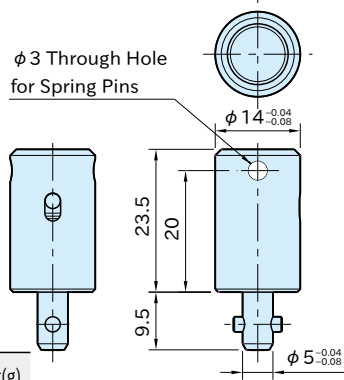


# QCSJ

## SHAFT COUPLING CLAMP



Heat resistance: 180°C



### ★ Key Point

Multipurpose coupling element

Part Number	Clamping Force(N)	Holding Force(N)*	Weight(g)
<b>QCSJ0514A</b>	90	90	25

\*) Exceeding the holding force creates a gap of greater than 0.1mm between plates.

### Note

Spring pins are not supplied.

Body/Shank	Pin	Spring
S45C steel Electroless nickel plated	SUS304 stainless steel	Equivalent to SWOSC-V steel

## QCSJ-S / QCSJ-B

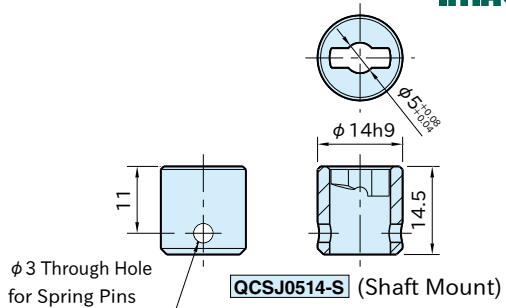
## CAM RECEPTACLES



**QCSJ0514-S**  
(Shaft Mount)



**QCSJ0514-B**  
(Plate Mount)



Body
SCM440 steel Quenched and tempered Electroless nickel plated

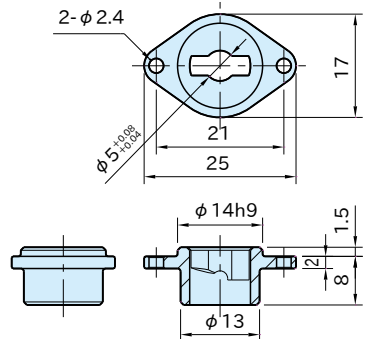
Part Number	Weight(g)
<b>QCSJ0514-S</b>	10
<b>QCSJ0514-B</b>	8

### Supplied With

**QCSJ0514-B**: 2 of socket-head cap screws (stainless steel), M2×0.4-5L

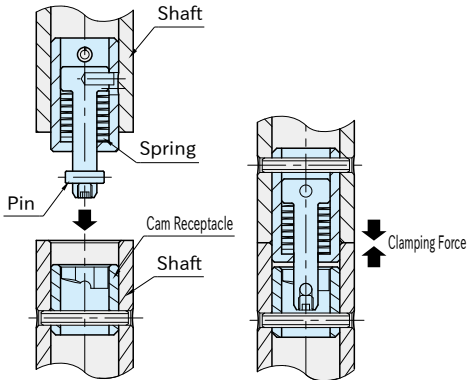
### Note

Spring pins to mount **QCSJ0514-S** are not supplied.



**QCSJ0514-B** (Plate Mount)

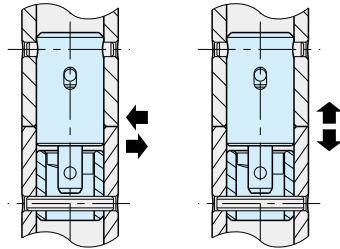
## Feature



When the pin contacts along the cam surface in Cam Receptacle, the spring gets compressed to clamp the shafts.

## Mechanical Strength

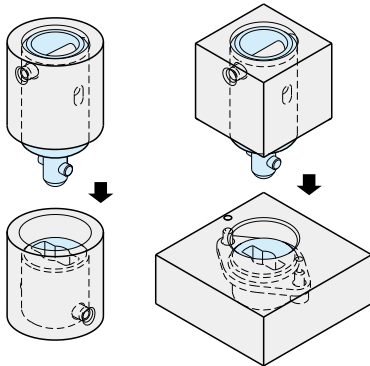
Heatresistant Temperature 180°C



Shear Strength 1800N Tensile Strength 1200N

Shear and tensile strength is allowable load and the fastener could break when it receives bigger load.

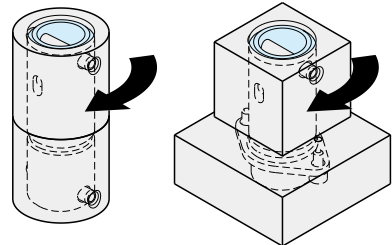
## How To Use



1. Insert the shaft into the keyway of Cam Receptacle.

Click!

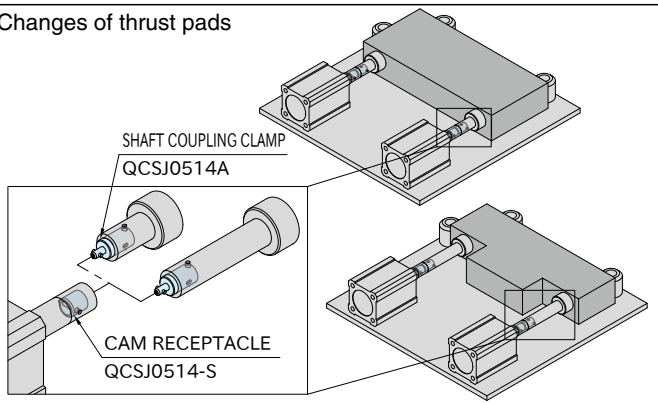
Click!



2. Turn the shaft or block for 90° to clamp. The element clicks when clamped. For unclamping, follow back these steps.

## Application Example

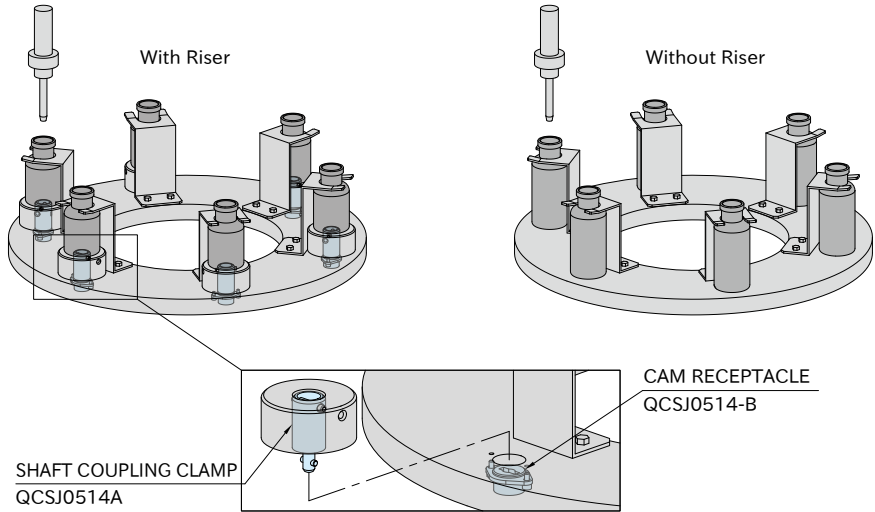
Changes of thrust pads



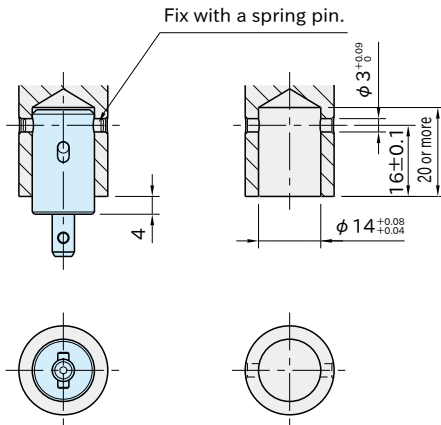
Continuing on Next Page

## Application Example

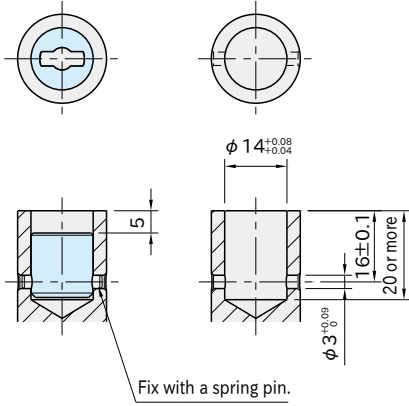
### Changes of riser



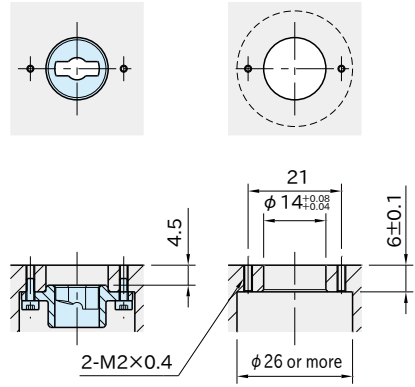
## How To Install Shaft Coupling Clamp



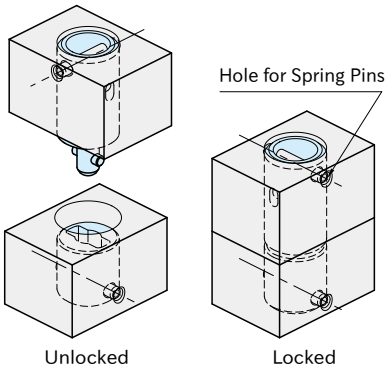
### How To Install Cam Receptacle(Shaft Mount)



### How To Install Cam Receptacle(Plate Mount)



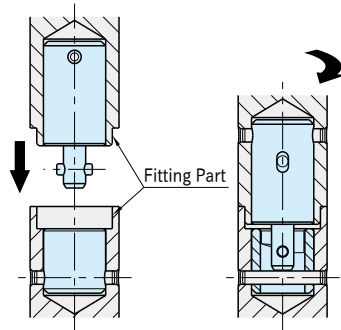
### Note



Pay attention to the direction of holes for spring pins.

### Repeatability

Repeatability  $\pm 0.08$



Prepare male and female fittings for higher accurate locating.